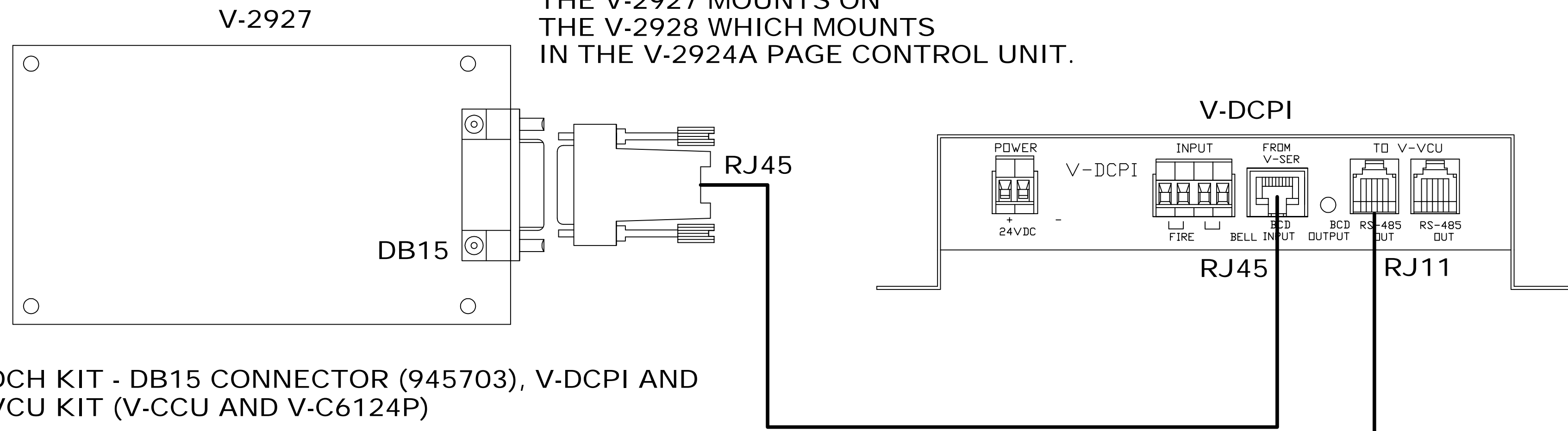


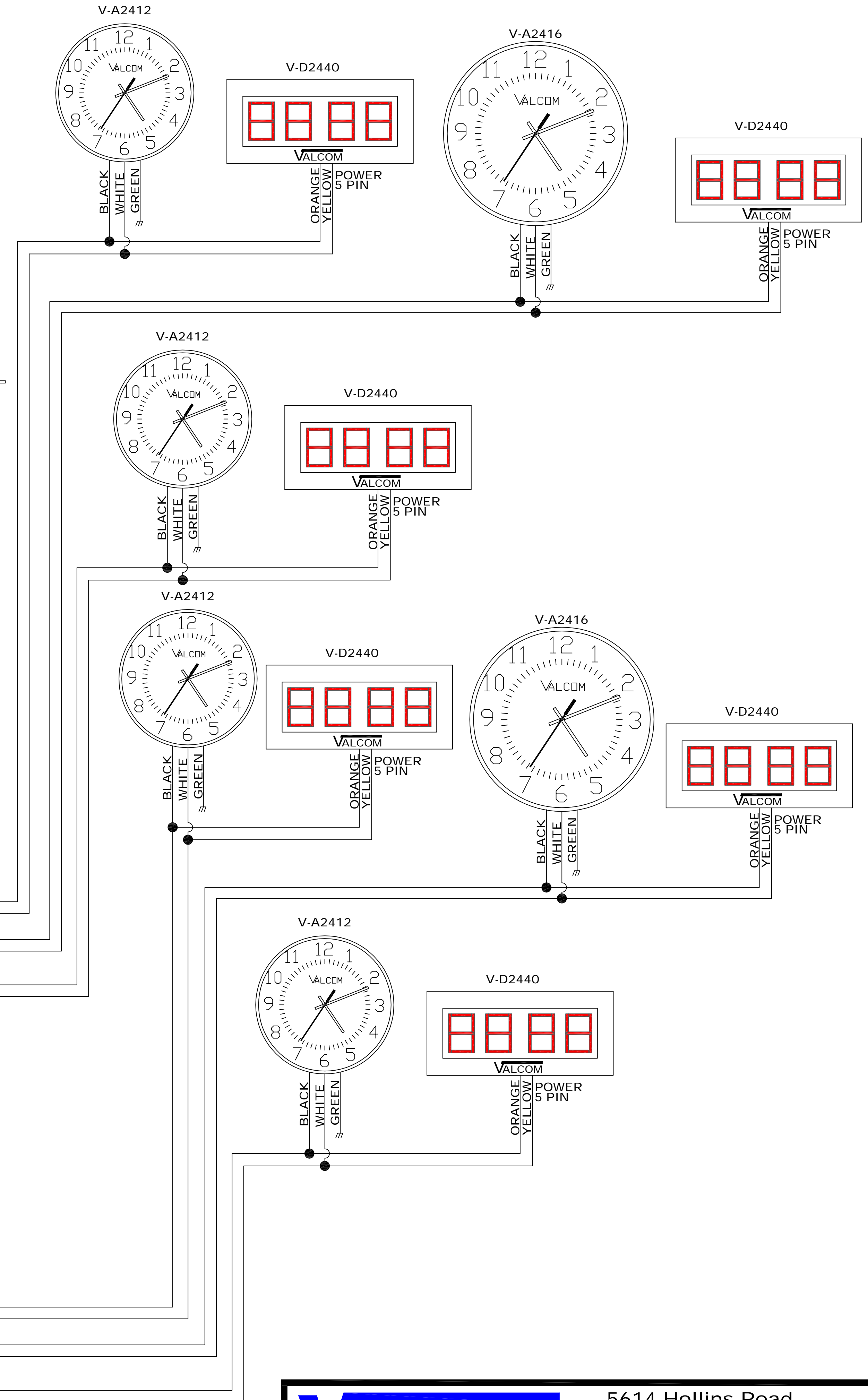
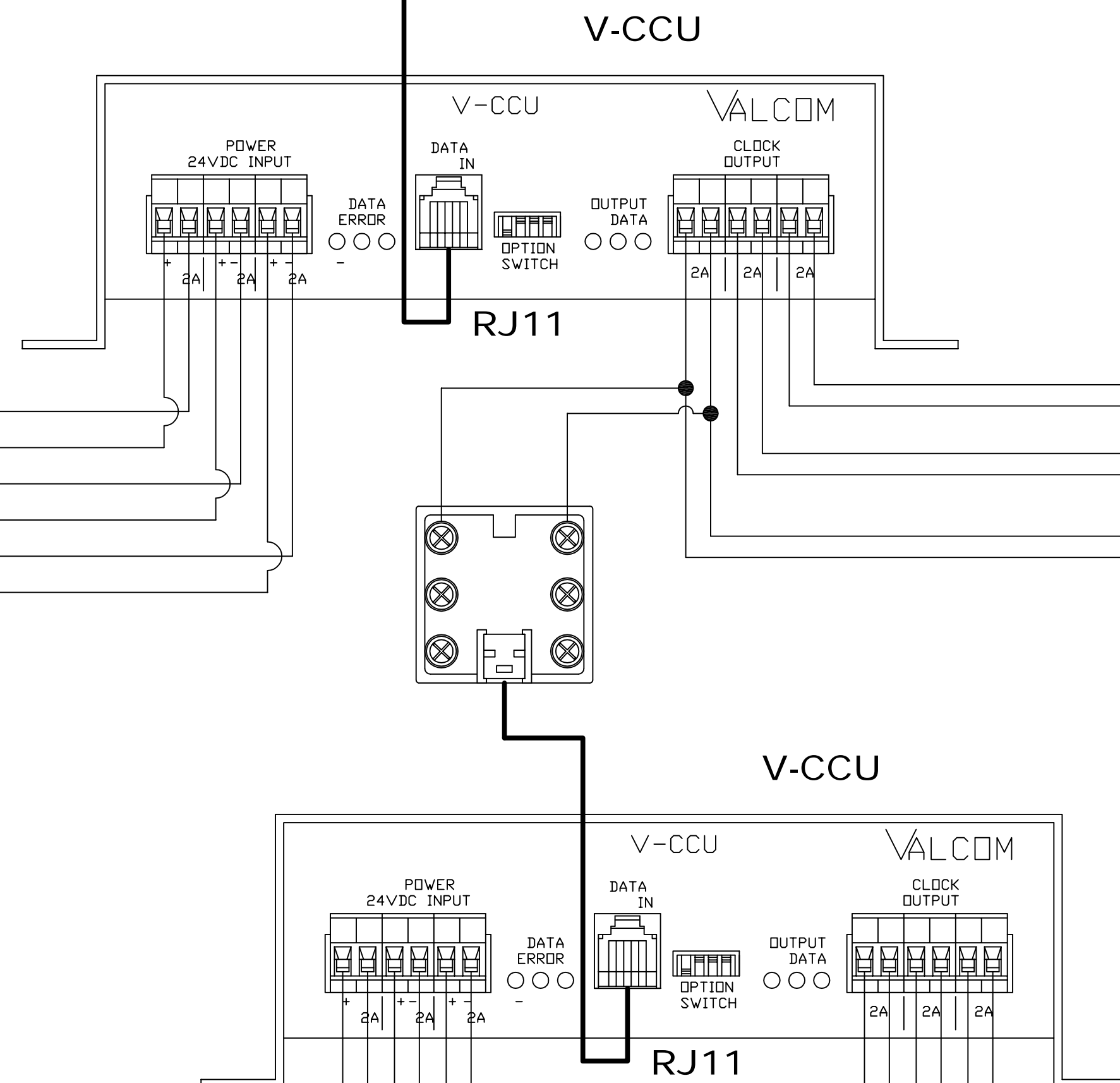
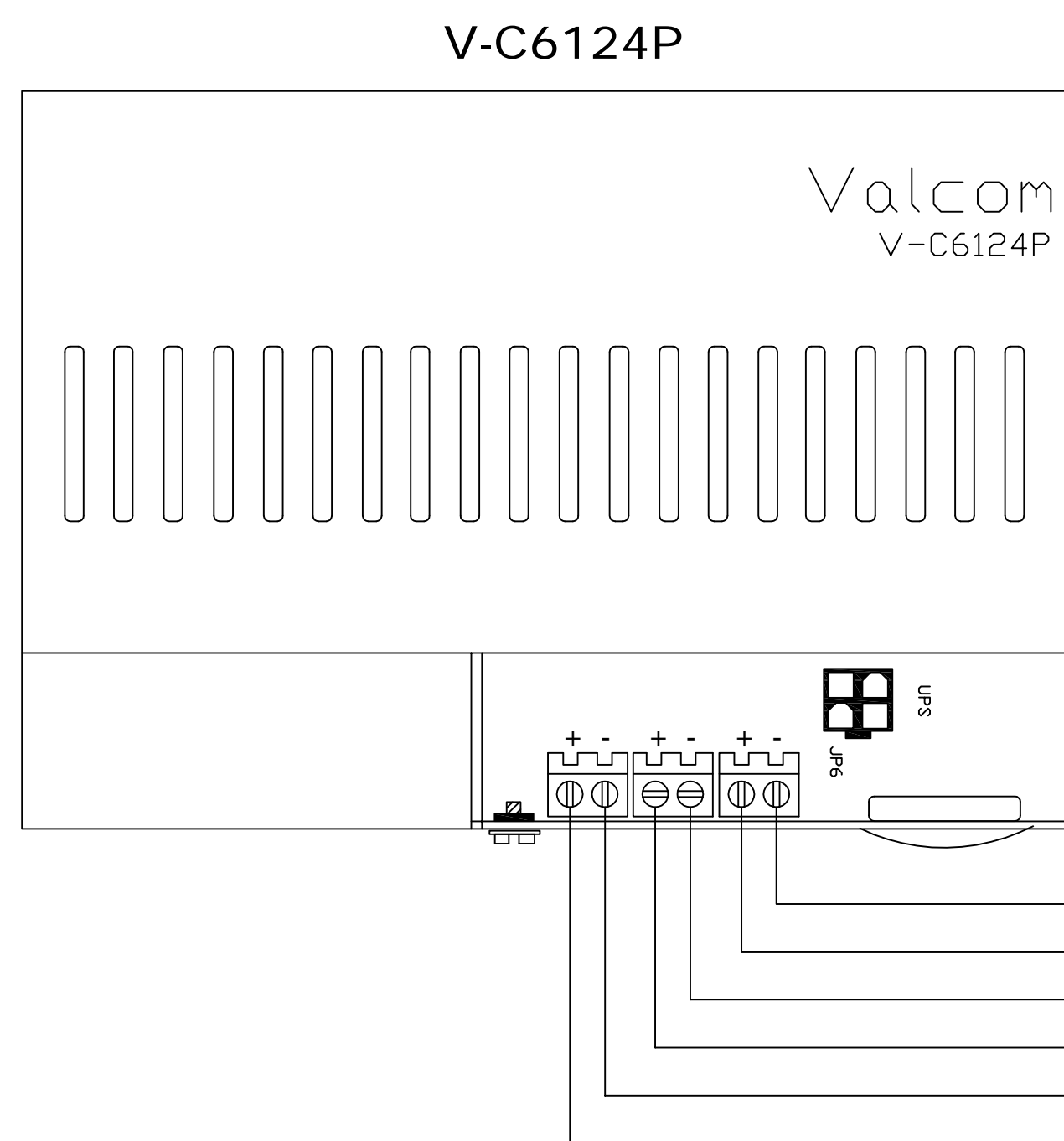
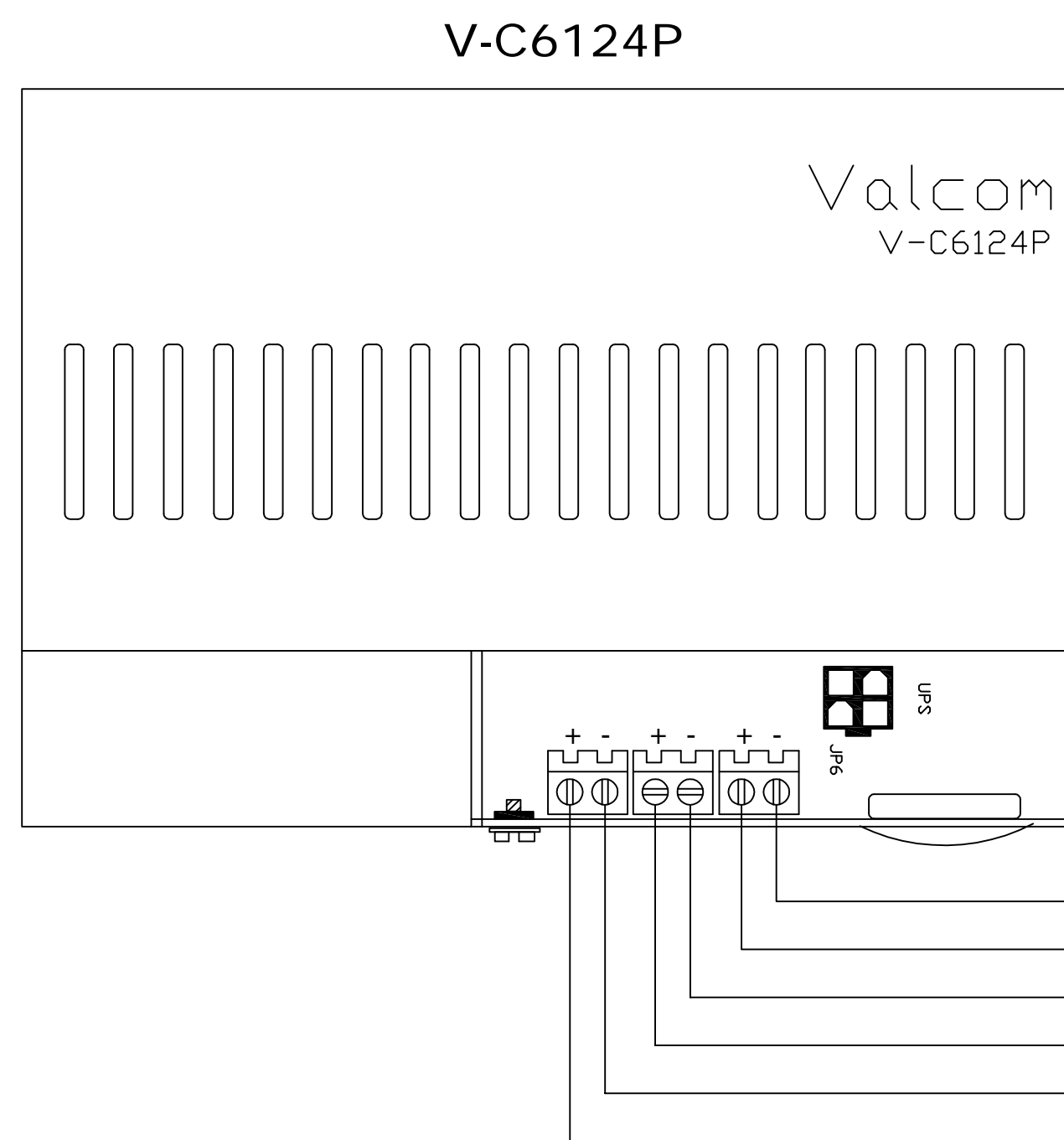
**Note:** The suggestion provided may or may not be suitable for your intended application. Please consider this information carefully before incorporating it into your system design. Valcom disclaims any responsibility for accuracy or completeness.

THE V-2927 MOUNTS ON THE V-2928 WHICH MOUNTS IN THE V-2924A PAGE CONTROL UNIT.



V-DCH KIT - DB15 CONNECTOR (945703), V-DCPI AND V-VCU KIT (V-CCU AND V-C6124P)

V-VCU KIT - V-CCU AND V-C6124P



**VALCOM** 5614 Hollins Road  
Roanoke, VA 24019  
540-563-2000

**WIRED CLOCK HEAD END  
V-2927 CORRECTION SCENARIO  
2-WIRE DIGITAL, MULTIPLE V-CCU**