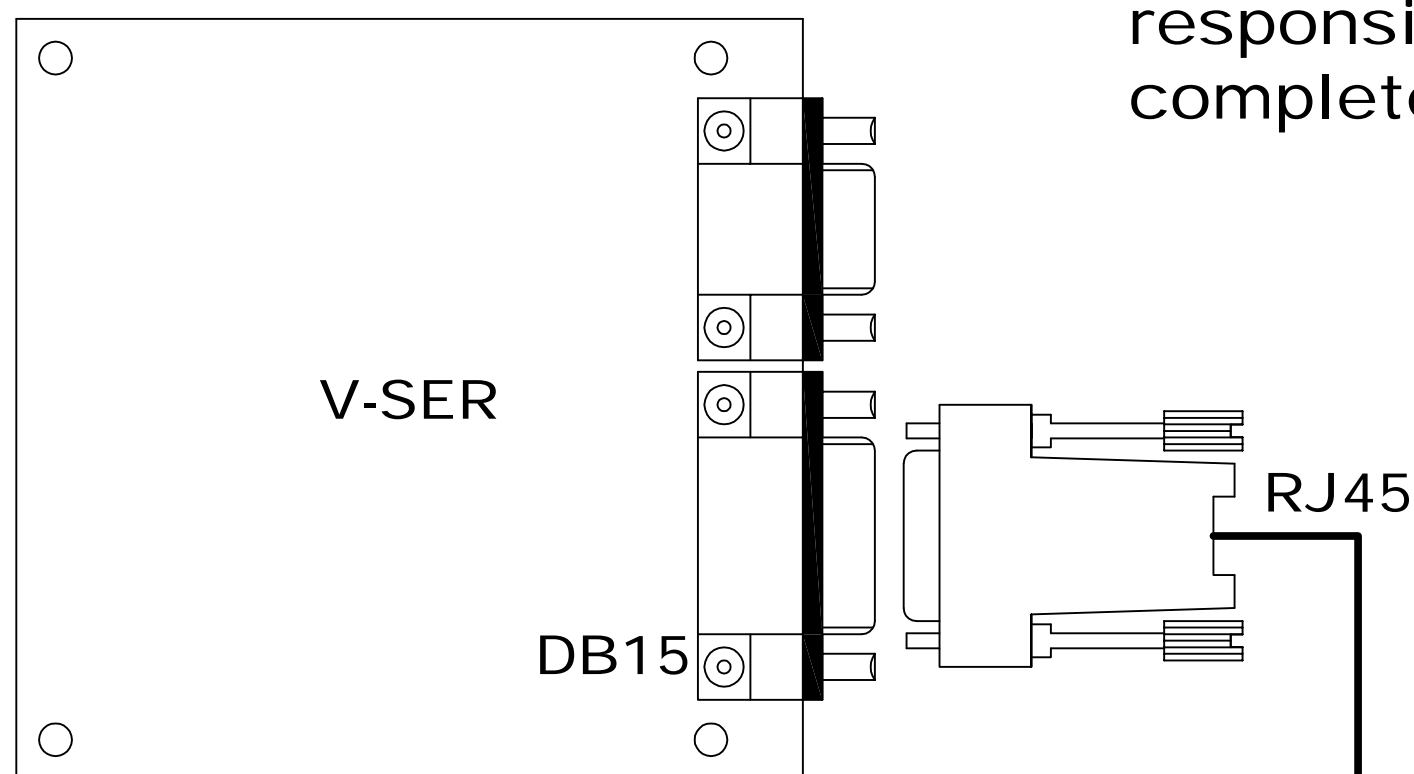


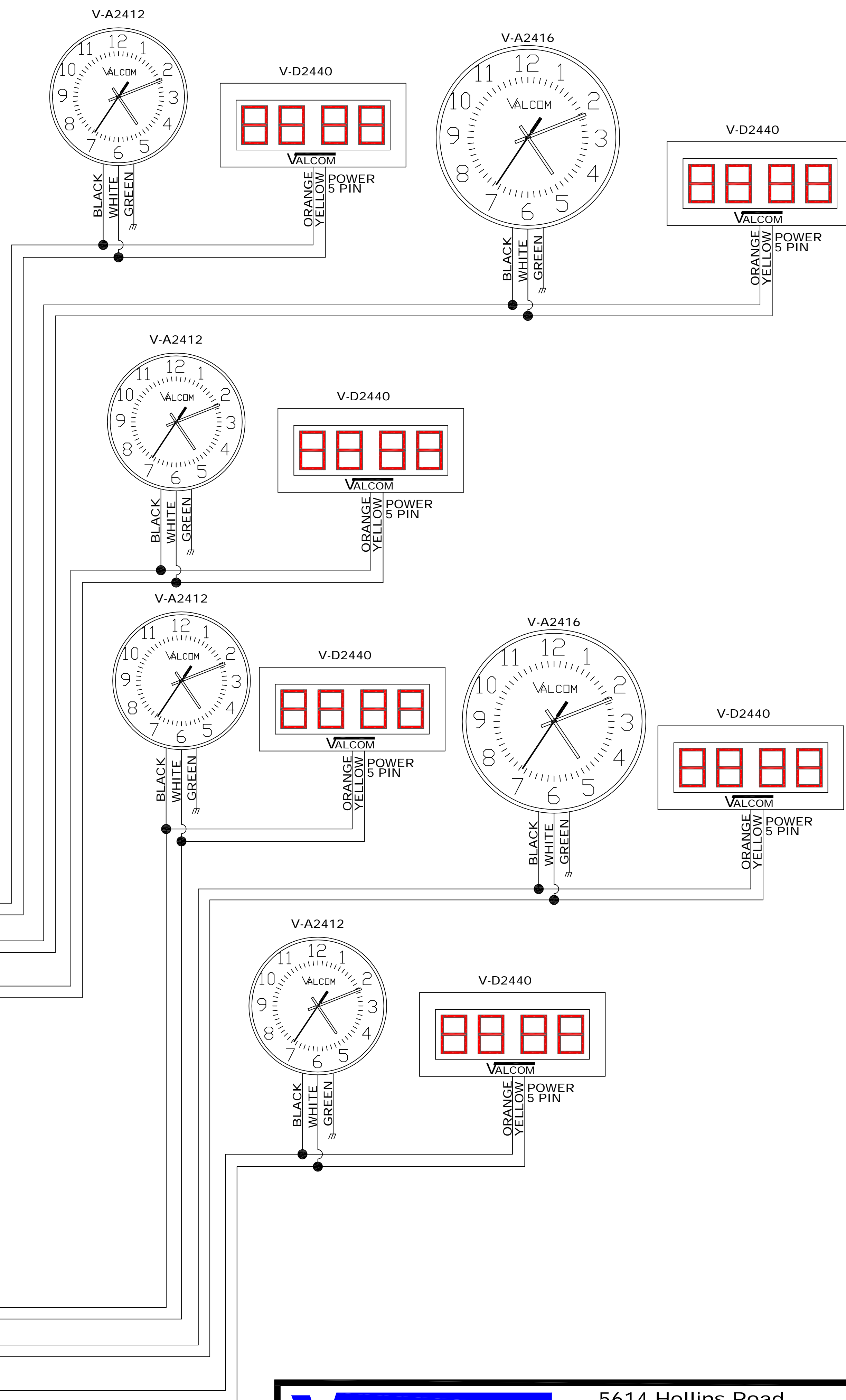
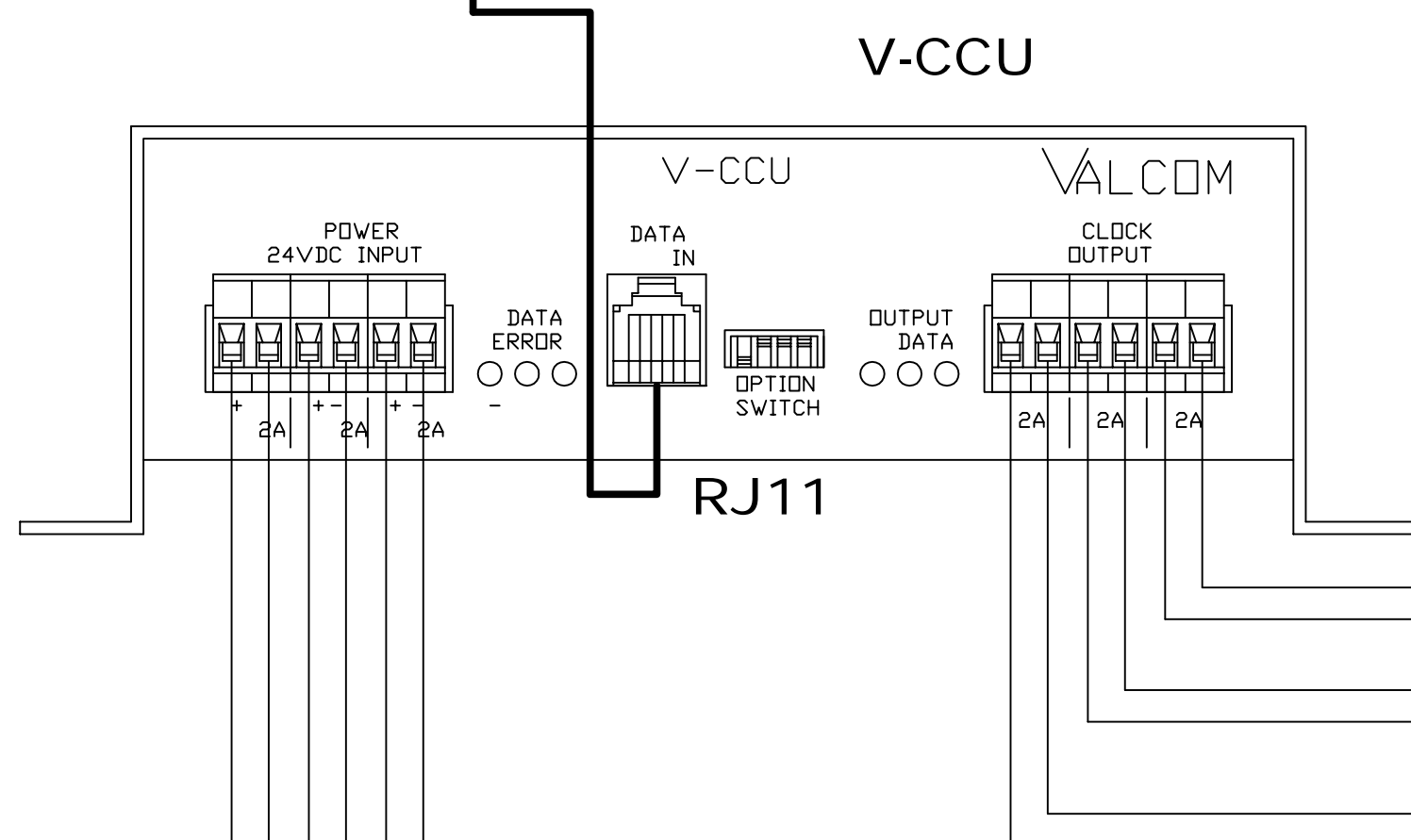
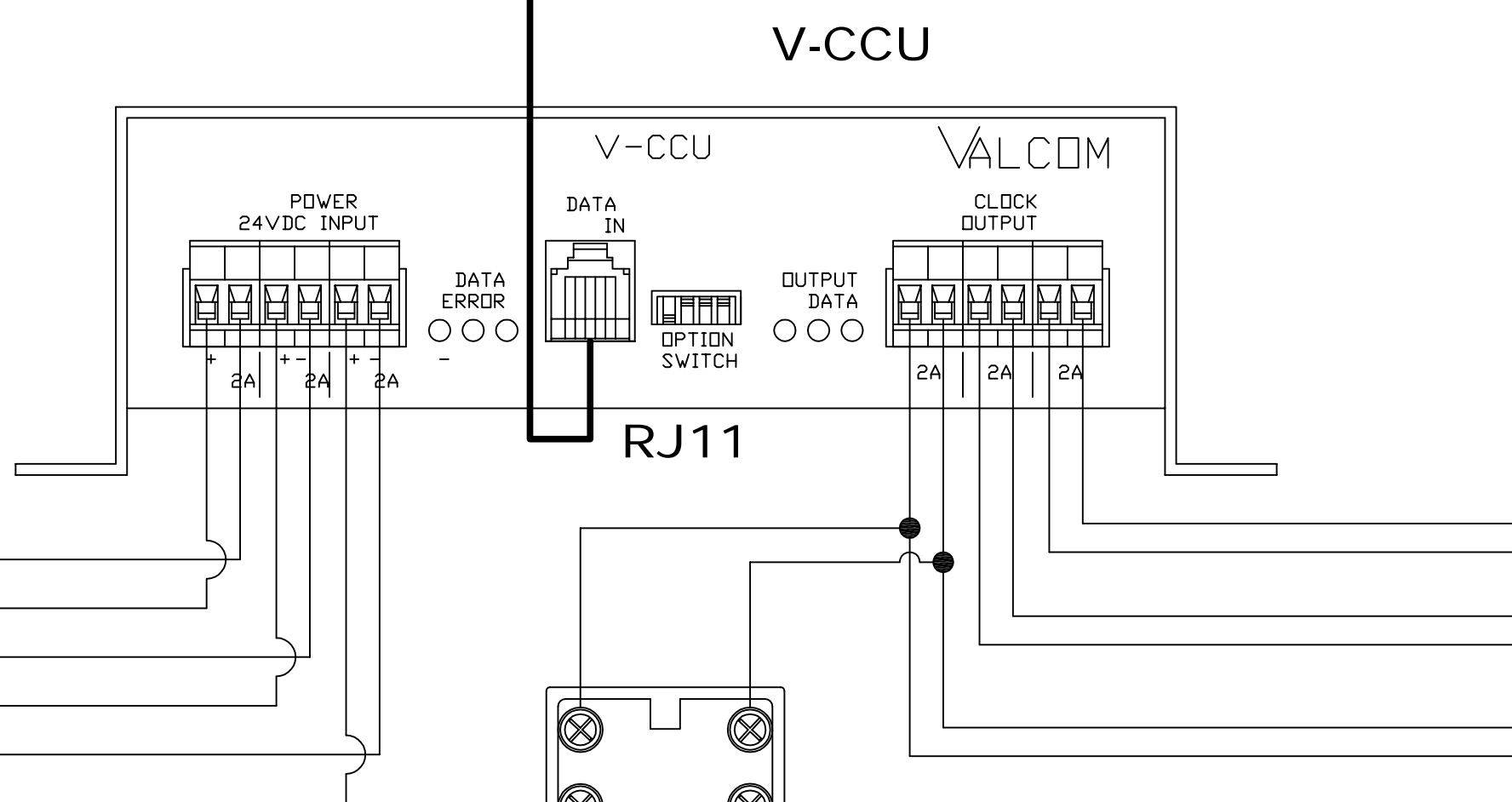
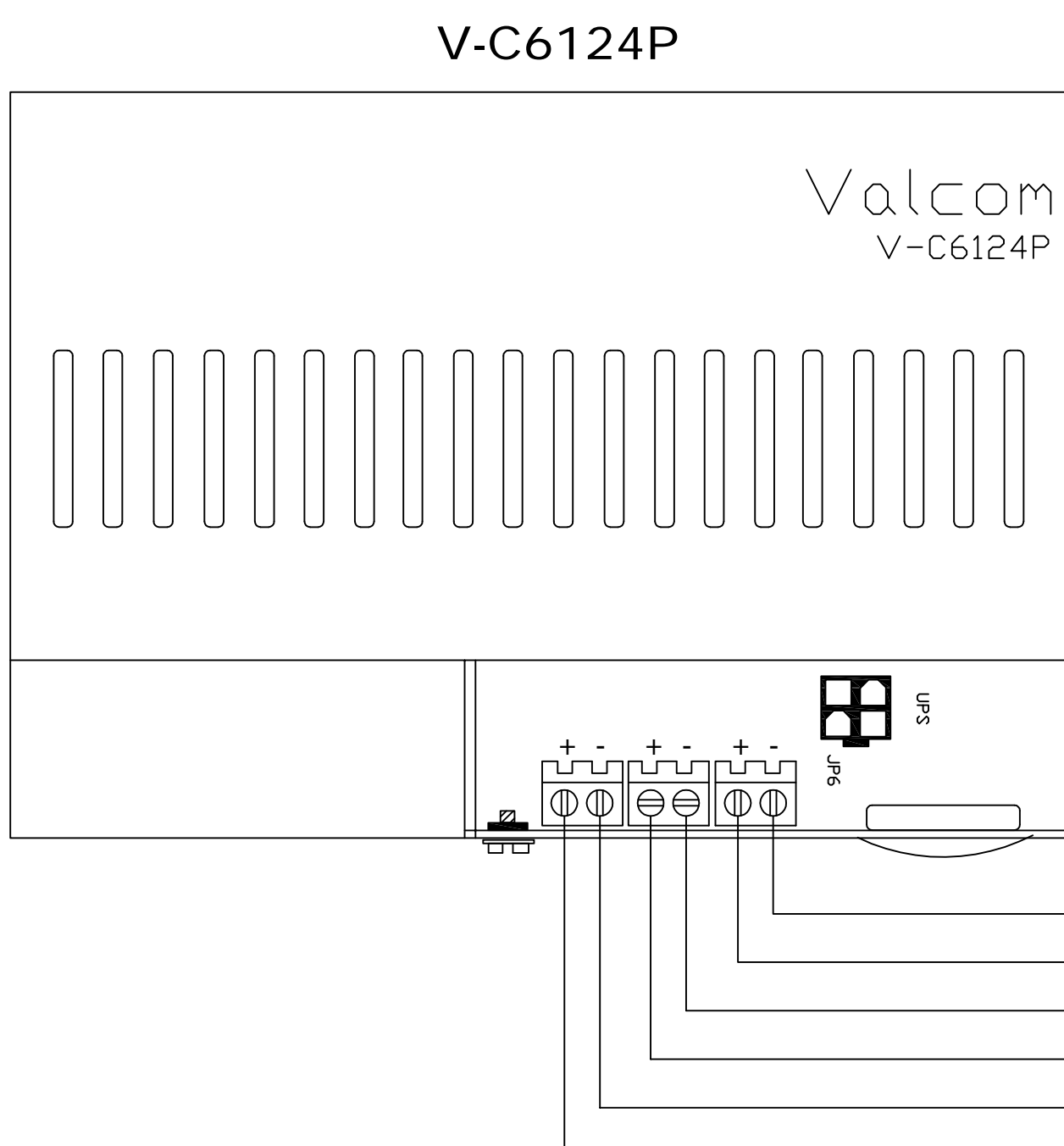
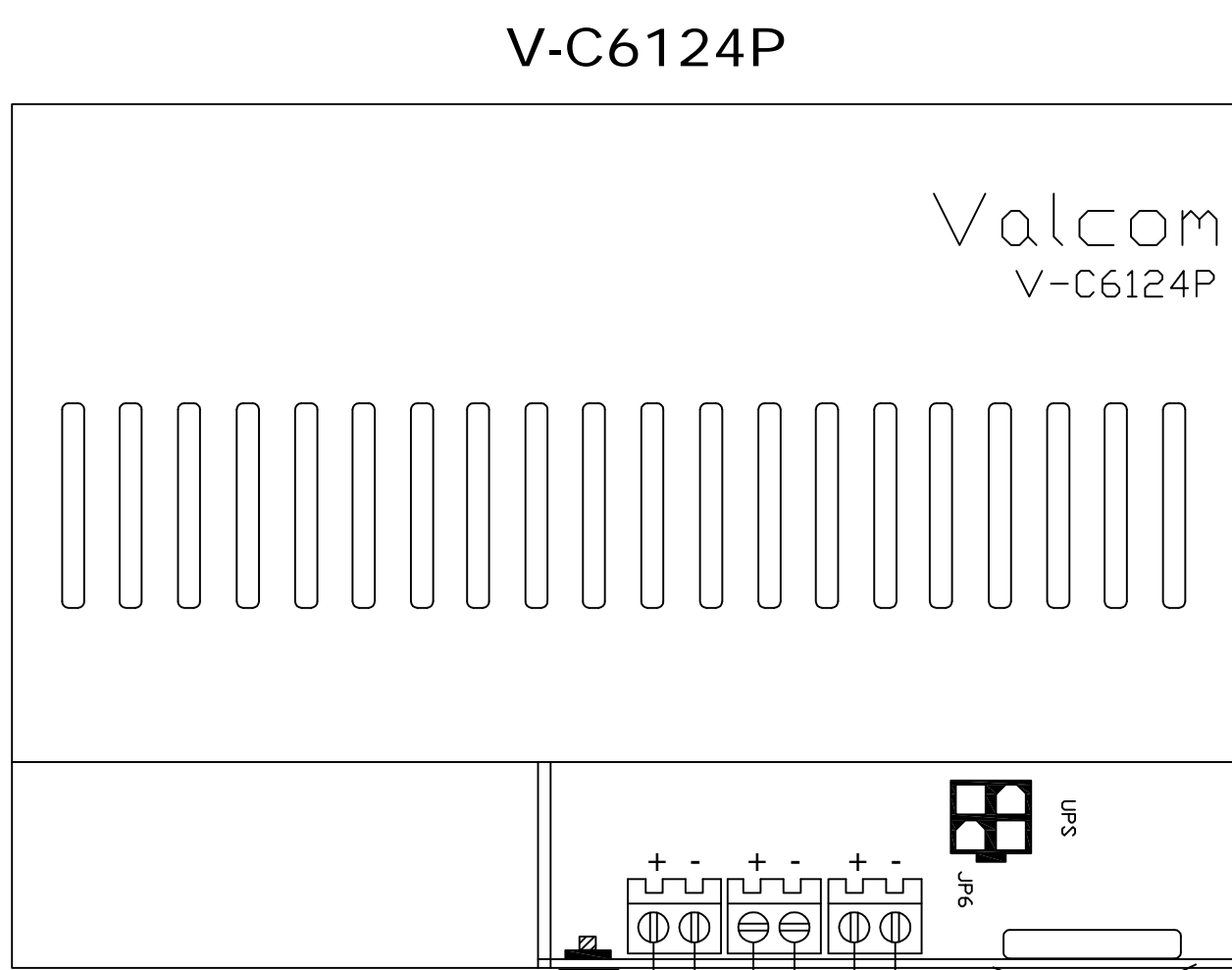
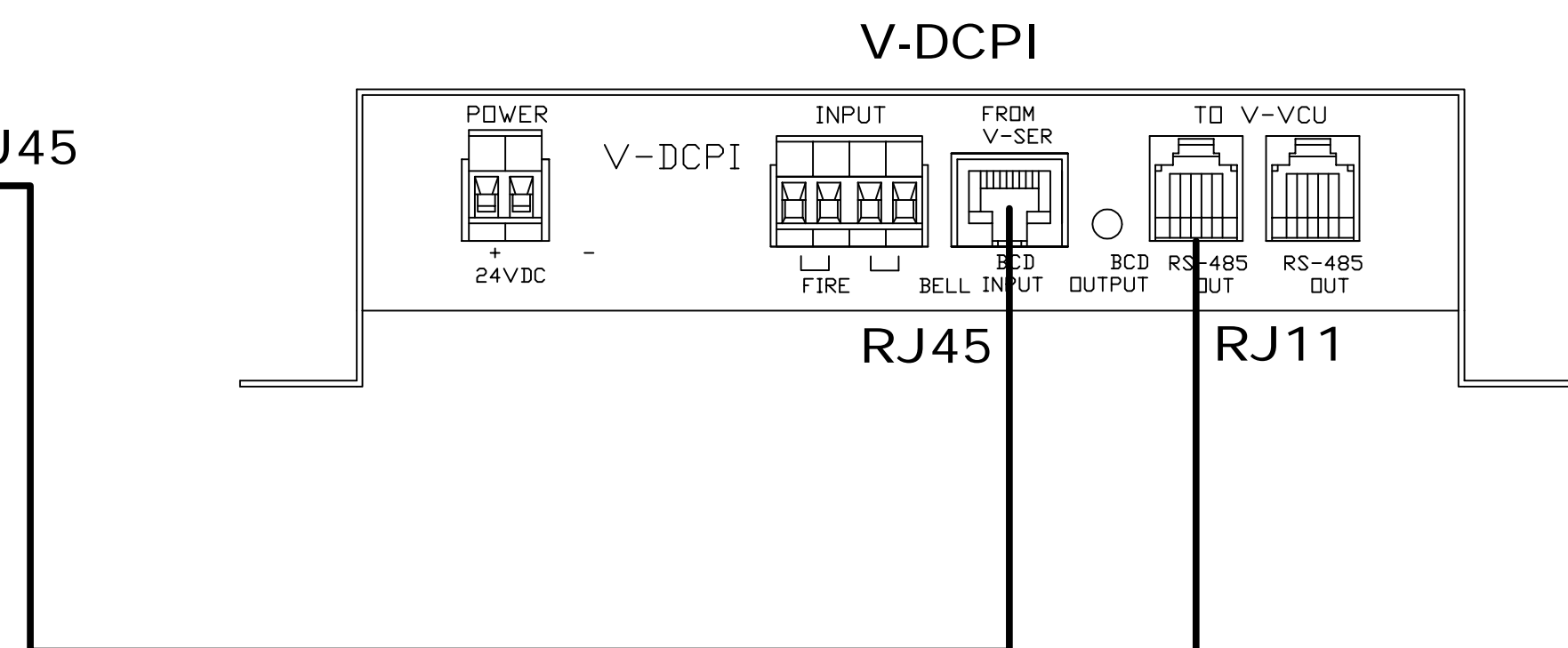
Note: The suggestion provided may or may not be suitable for your intended application. Please consider this information carefully before incorporating it into your system design. Valcom disclaims any responsibility for accuracy or completeness.

THE V-SER MOUNTS ON THE INTERCOM CPU CARD



V-DCH KIT - DB15 CONNECTOR (945703), V-DCPI AND V-VCU KIT (V-CCU AND V-C6124P)

V-VCU KIT - V-CCU AND V-C6124P



VALCOM 5614 Hollins Road
Roanoke, VA 24019
540-563-2000

**WIRED CLOCK HEAD END
CLASS CONNECTION OR MULTIPATH
CORRECTION SCENARIO
2-WIRE DIGITAL, MULTIPLE V-CCU**